

1

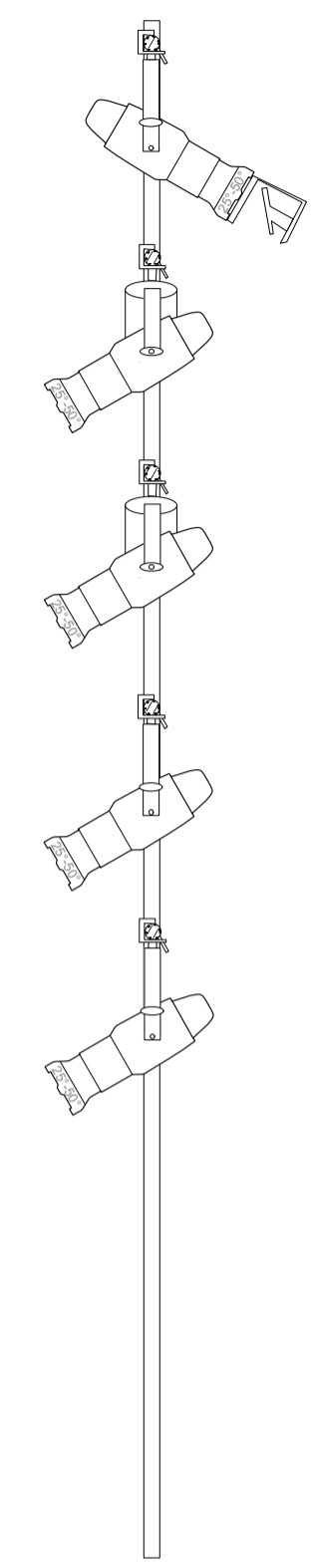
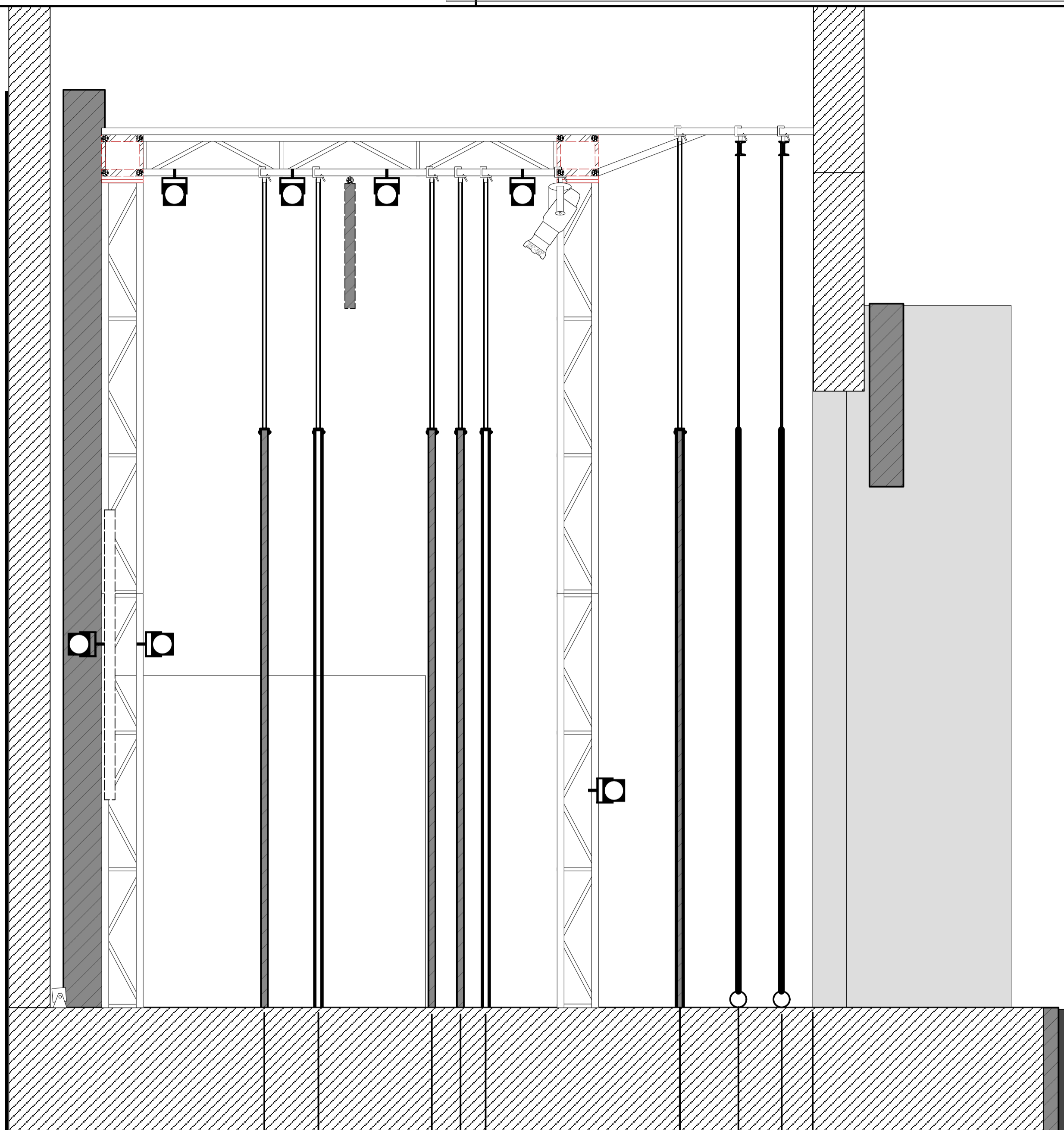
3

A

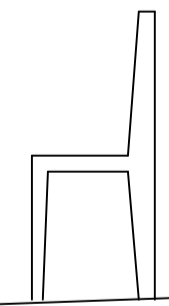
A

B

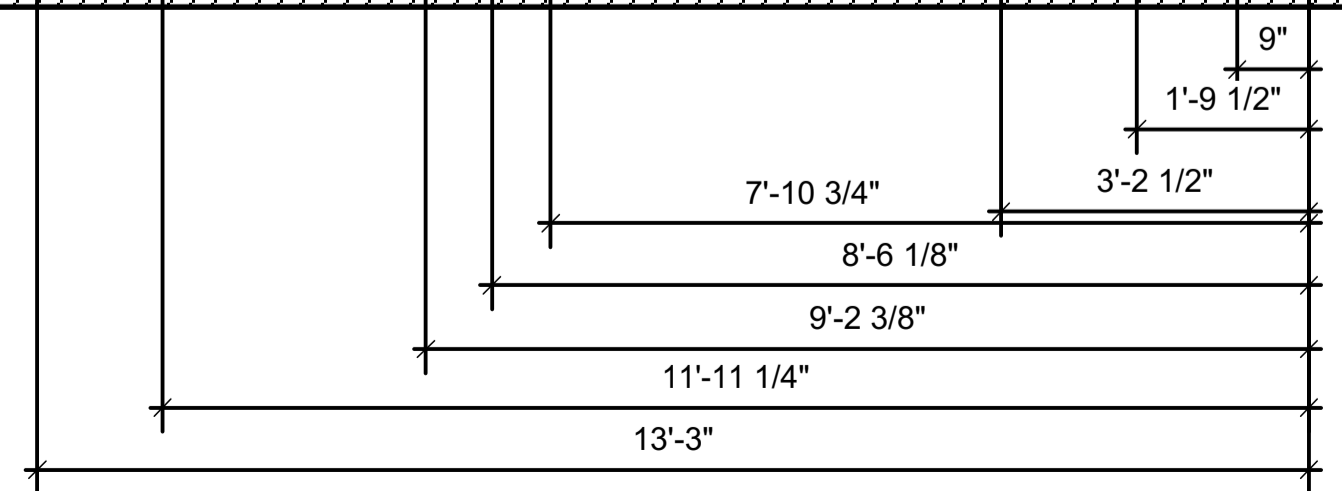
B



General Notes
 1. TREES WILL BE MOUNTED RIDGED TO THE TRUSS, DROPS A AND B WILL BE ROLL DROPS.



14 Sectional
 Scale: 1/2" = 1'-0"



DESIGNED BY Floyd Morgan
DRAWN BY Josh Roberts
CHECKED BY
APPROVED BY
OTHER APPROVALS
CAD FILE NAME Dear Brutus Tree

TITLE Sectional Dear Brutus Tree			
SIZE	CAGE CODE	DRAWING NUMBER 14	REV
SCALE 1/2" = 1'	EST. WGT	SHEET 9	OF 9

1

3