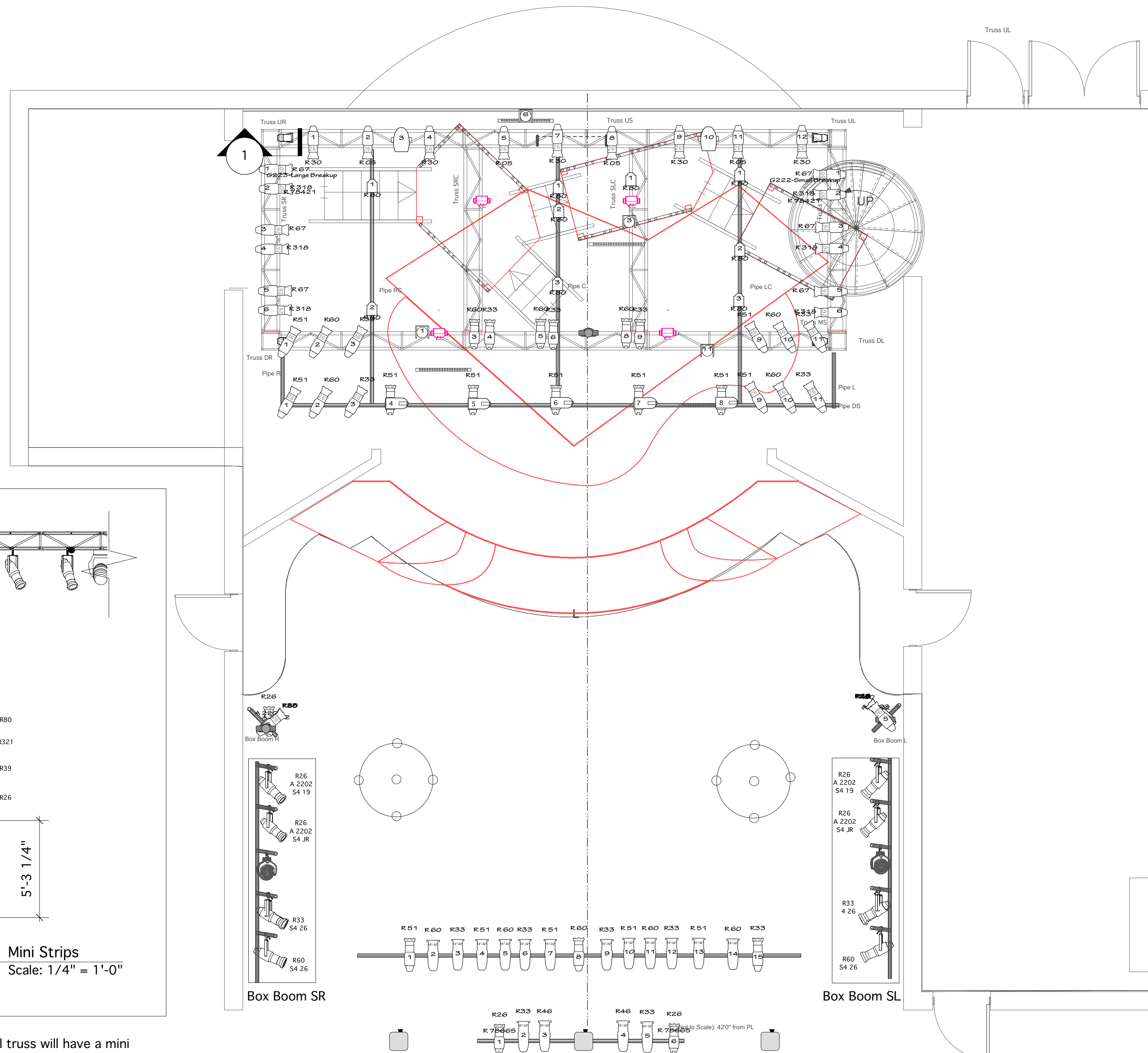


A

A

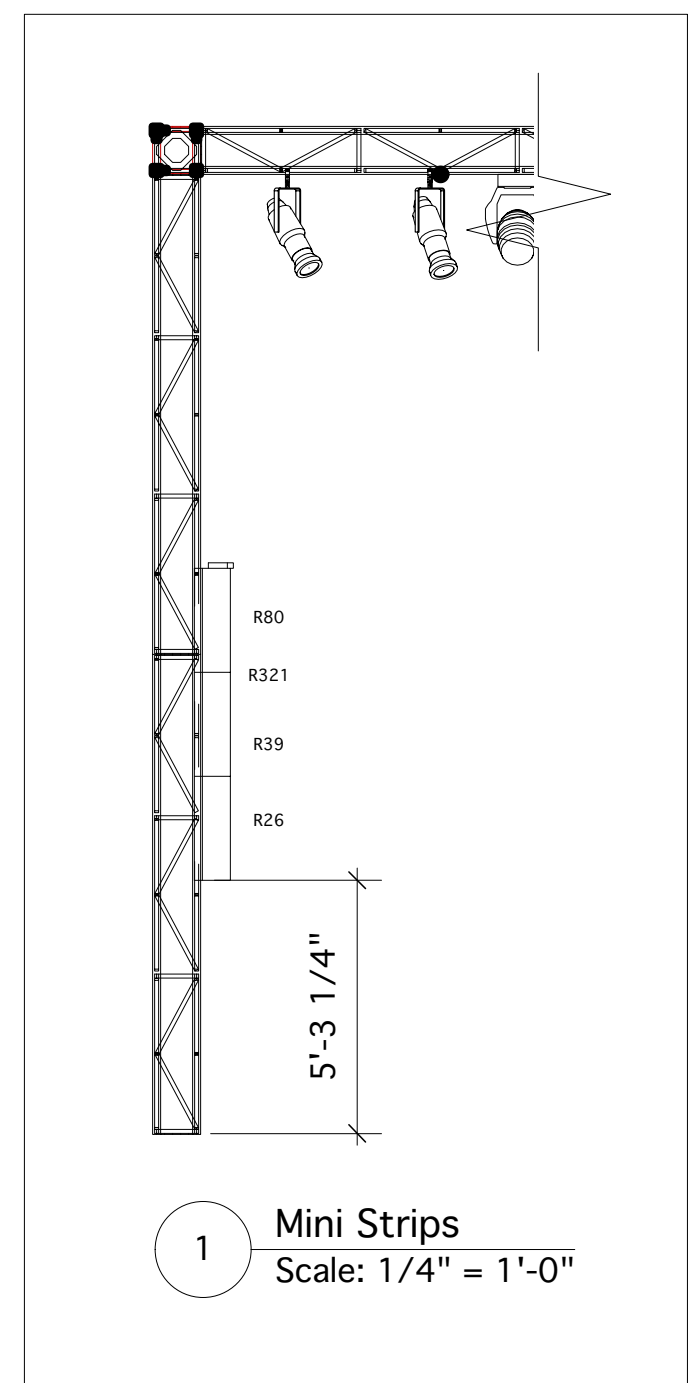
B

B



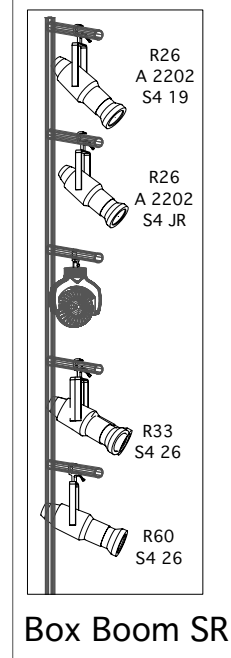
Instruments	Num In Inventory	Used	Remaining
CE Source 4 Zoom 25'-50'	20	20	0
Source 4 Jr Zoom	14	14	0
Source 4 26deg	29	25	4
Source 4 19deg	6	2	4
Elation Impression	0	3	-3
SL 15/32	15	16	-1
Altman 528 Borderlight Cell	3	3	0
Altman 528 Borderlight Cell	6	6	0
Altman 528 Borderlight Cell	3	3	0
LED Color Batten Stage 1	18	15	3
6' Fres	0	9	-9
MAC Aura	0	4	-4
VL 770	2	2	0
Stage Ape	4	4	0

Legend	
	Color
	Gold 1
	Unit Number
	Channel

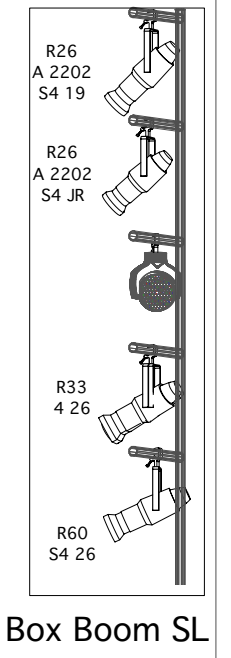


1 Mini Strips
Scale: 1/4" = 1'-0"

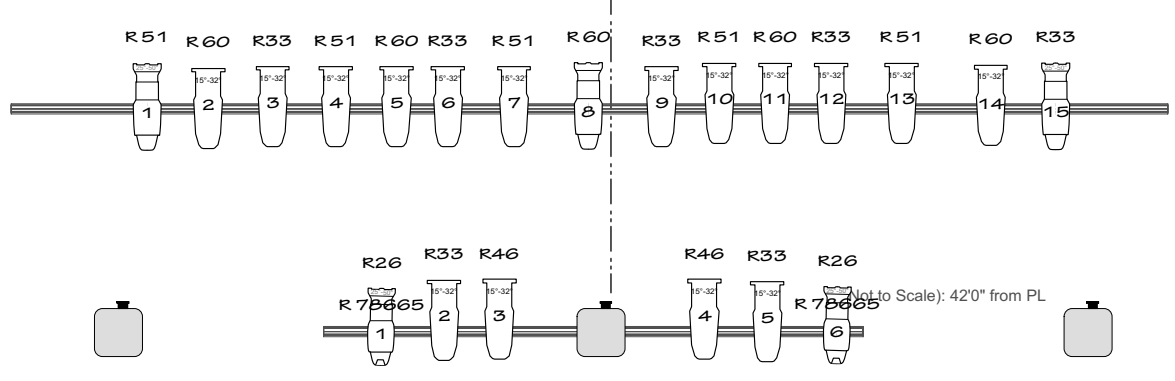
General Notes
1. Each vertical truss will have a mini strip mounted on it at about 5' facing onstage. Four mini strips in total.



Box Boom SR



Box Boom SL



Lighting Design

Lighting Designer: Joshua Roberts	
Director: Kenneth Risch	
Set Designer: Joshua Winkler	1 of 2
SCALE : 1' = 1/4"	